

12" Wide Plastic Lockers – 93000 Series

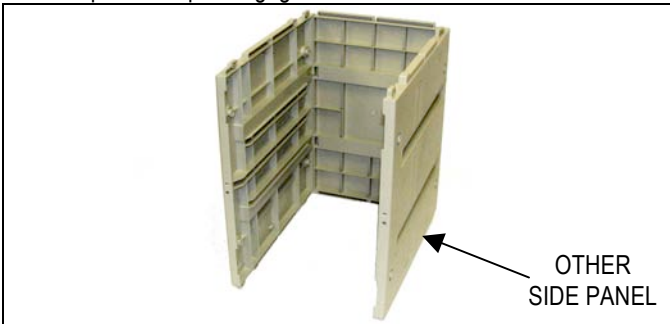
Triple Tier Installation Instructions

Thank you for selecting Salsbury's 93000 series 12" wide triple tier plastic lockers. We are confident that the quality and construction of the lockers will prove to be a good investment. These instructions are intended to assist you in the assembly of the lockers. Individual job conditions will dictate whether the lockers must be anchored to the wall, the floor, or both. **Please read the entire assembly instruction document before beginning assembly.**

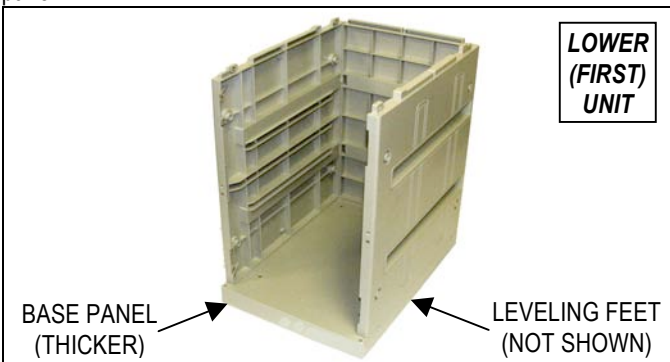
Step 1. Insert the back panel tabs into the pockets along the rear edge of the side panel. Tap with soft mallet to engage two (2) latch points.



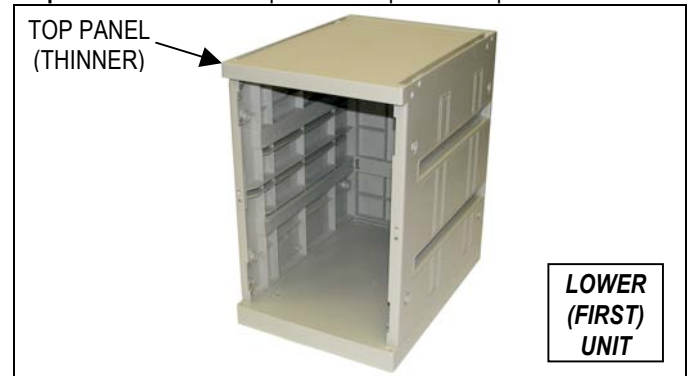
Step 2. Press another side panel onto the tabs on the other side of the back panel. Tap to engage as above.



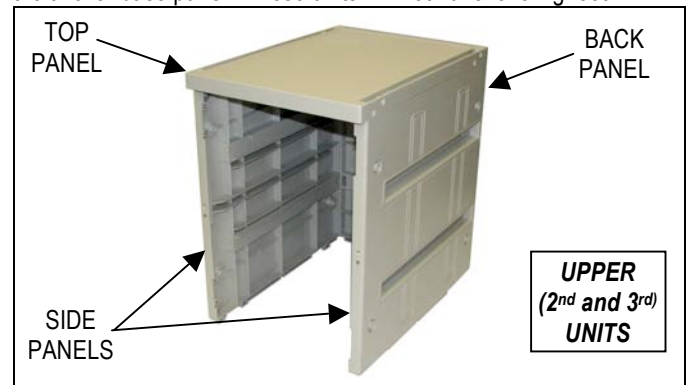
Step 3. Join and press down the sides-and-back-panel assembly from step 2 above into the base panel as shown below. The base panel is the thicker of the four (4) horizontal panels provided. Then thread four (4) leveling feet provided into the bottom of the base panel.



Step 4. Install a thinner top horizontal panel on top of the unit.



Step 5. Assemble two (2) identical units the same as Steps 1 through 4, except installing the thinner top panel on each instead of the thicker base panel. These units will not have leveling feet.



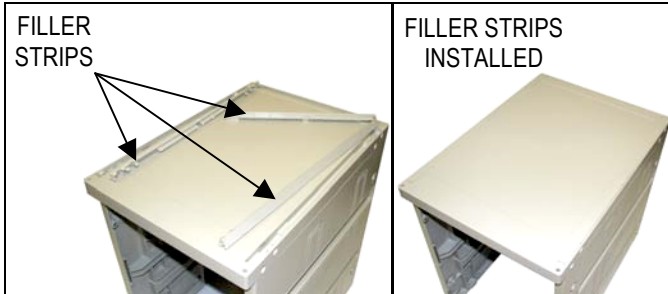
SALSBURY INDUSTRIES

18300 Central Avenue, Carson, CA 90746-4008
 Phone: 1-800-562-5377 Int'l Phone: 323-846-6700
 Fax: 1-800-562-5399 Int'l Fax: 323-846-6800
 www.lockers.com engineering@lockers.com

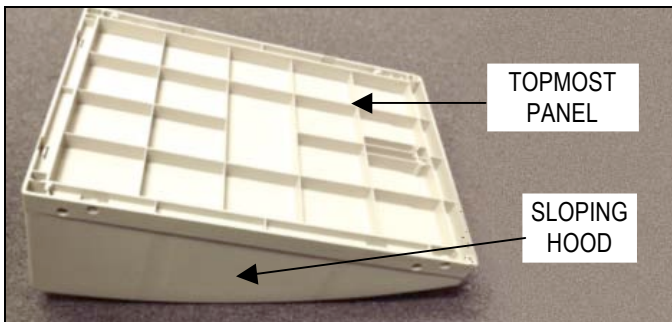
12" Wide Plastic Lockers – 93000 Series

Triple Tier Installation Instructions

Step 6. If you purchased the optional Sloping Hood, do not install the Topmost Panel until you have first completed 'Step 6A'. If you are NOT using a Sloping Hood, install filler strips (provided) into the Topmost panel recesses.

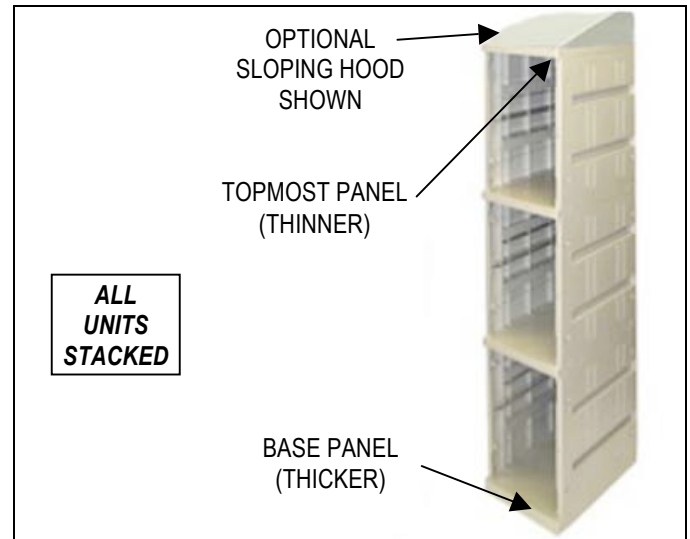


Step 6A. Install the optional Sloping Hood to the Topmost Panel as follows: Place the hood upside down on carpet or **another** protective surface. Take the Topmost panel (also upside down) and lay it over the bottom of the hood, keeping the tabs 'inside' the panel. Align one side's tabs with the panel slots and press or tap with a rubber mallet to snap-fit them. Align the 2 tabs on the back with their slots and press down on the panel. Align the last side's 2 tabs with their slots (it may take inserting a screwdriver between the hood and panel to 'pull' the hood's side out to get them aligned), and press down on the panel to complete the tab **and** slot joining.

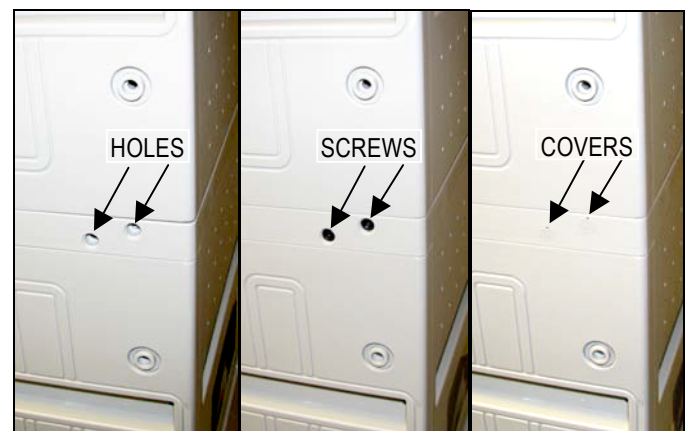


Step 7. Assemble compartments 2 and 3 per Steps 1 through 5, except leaving compartment 3 without a base. (This unit will not have leveling feet.) Stack the two upper units onto the first unit as shown, using a rubber mallet if necessary.

If the optional Sloping Hood is being used and it has already been assembled to the Topmost Panel per Step 6A, you can now install it with the screws and hole covers into the adjoining side panels. If NOT using a Sloping hood, you can install the Topmost Panel prior to stacking the second unit.



Step 8. Install screws and hole covers where side panels join to top panels and base panel. There are 14 screws and hole covers on each of the two sides of the assembly (28 in total).



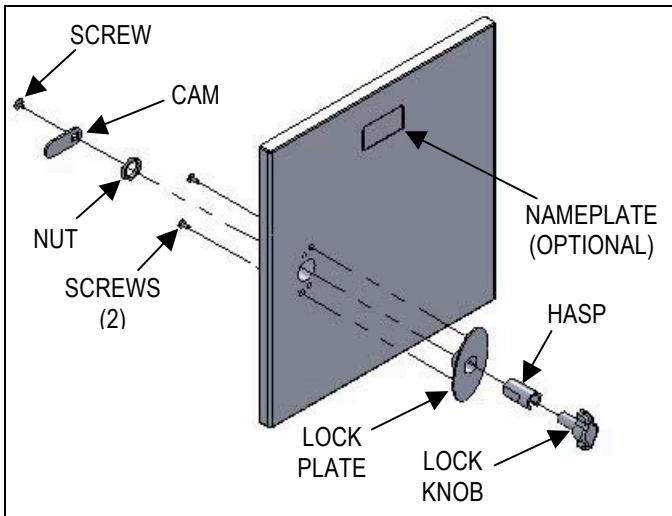
SALSBURY INDUSTRIES

18300 Central Avenue, Carson, CA 90746-4008
Phone: 1-800-562-5377 Int'l Phone: 323-846-6700
Fax: 1-800-562-5399 Int'l Fax: 323-846-6800
www.lockers.com engineering@lockers.com

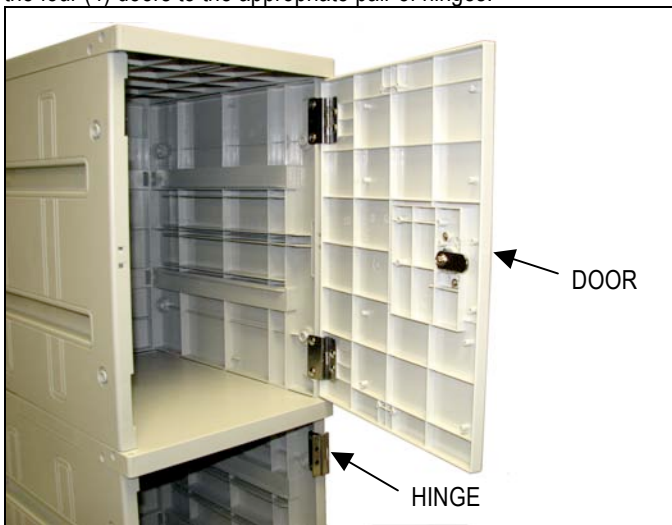
12" Wide Plastic Lockers – 93000 Series

Triple Tier Installation Instructions

Step 9. Attach the plastic oval lock plate to the front of the three (3) doors with two (2) screws from the rear of the door. Insert the stainless steel hasp through hole in front of doors making sure cutout is facing downward. Secure by threading nut provided onto it from rear. Insert lock knob through hasp from front of door making sure hole in lock knob is facing downward. Attach cam to rear of lock knob shaft with screw provided. Be sure the cam is pointing toward the outside of the door and is properly engaged with the square shaft end of the lock knob.



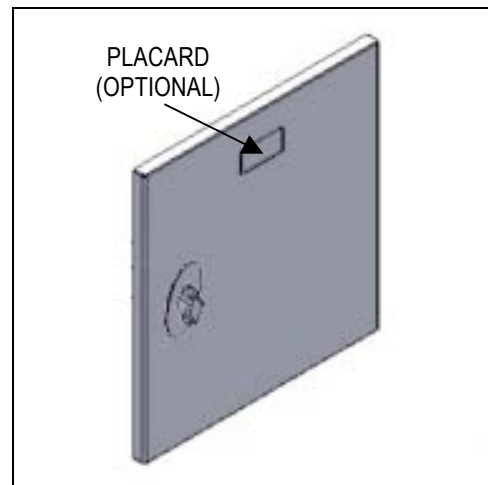
Step 10. Fasten the six (6) hinges (two (2) for each of the three (3) doors) provided in the hardware package securely to each hinge position with the screws provided as shown below. Fasten each of the four (4) doors to the appropriate pair of hinges.



Step 11. Slide the shelves (optional) into the slots in the locker side panels. There are three (3) slots available for shelves in each of the compartments.



Step 12. Install placards (optional) in the indentation near the top of each door.



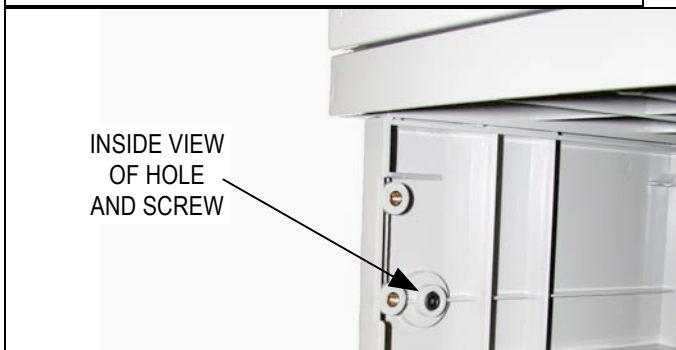
SALSBURY INDUSTRIES

18300 Central Avenue, Carson, CA 90746-4008
 Phone: 1-800-562-5377 Int'l Phone: 323-846-6700
 Fax: 1-800-562-5399 Int'l Fax: 323-846-6800
 www.lockers.com engineering@lockers.com

12" Wide Plastic Lockers – 93000 Series

Triple Tier Installation Instructions

Step 13. If two (2) or more lockers are to be installed side by side, the lockers should be fastened together with the four (4) nuts and long screws provided. Select any two (2) holes toward the front and any two (2) holes toward the rear. The illustration below shows the 12 holes that are available. The lower illustration shows the inside view of a hole and screw.



The assembly of the plastic lockers is now complete.

SALSBURY INDUSTRIES

18300 Central Avenue, Carson, CA 90746-4008
Phone: 1-800-562-5377 Int'l Phone: 323-846-6700
Fax: 1-800-562-5399 Int'l Fax: 323-846-6800
www.lockers.com engineering@lockers.com